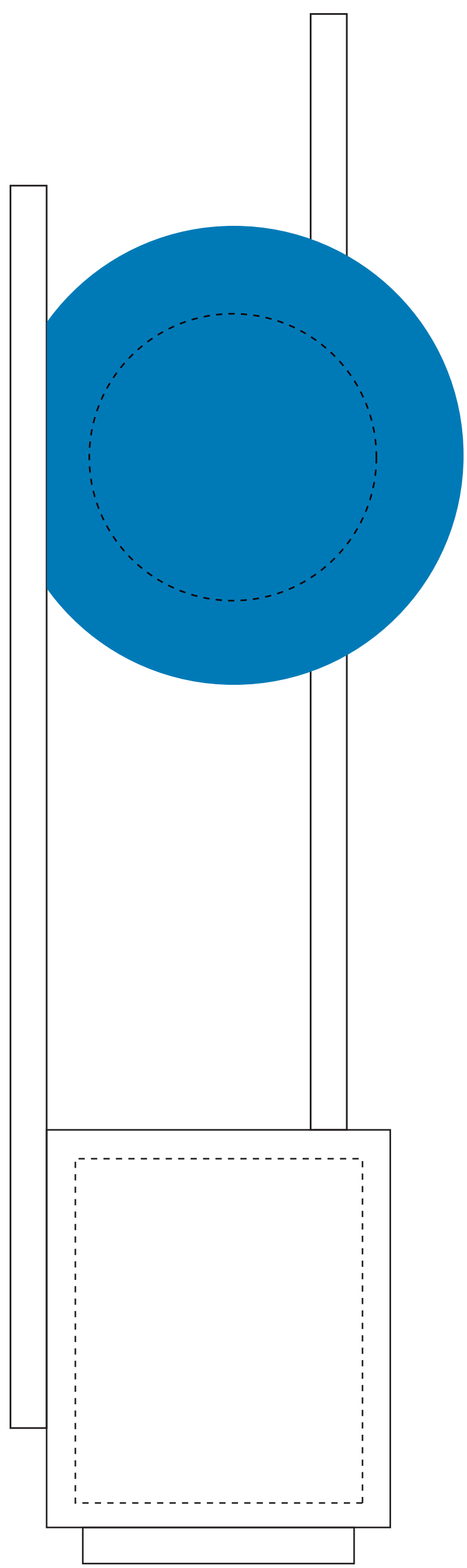
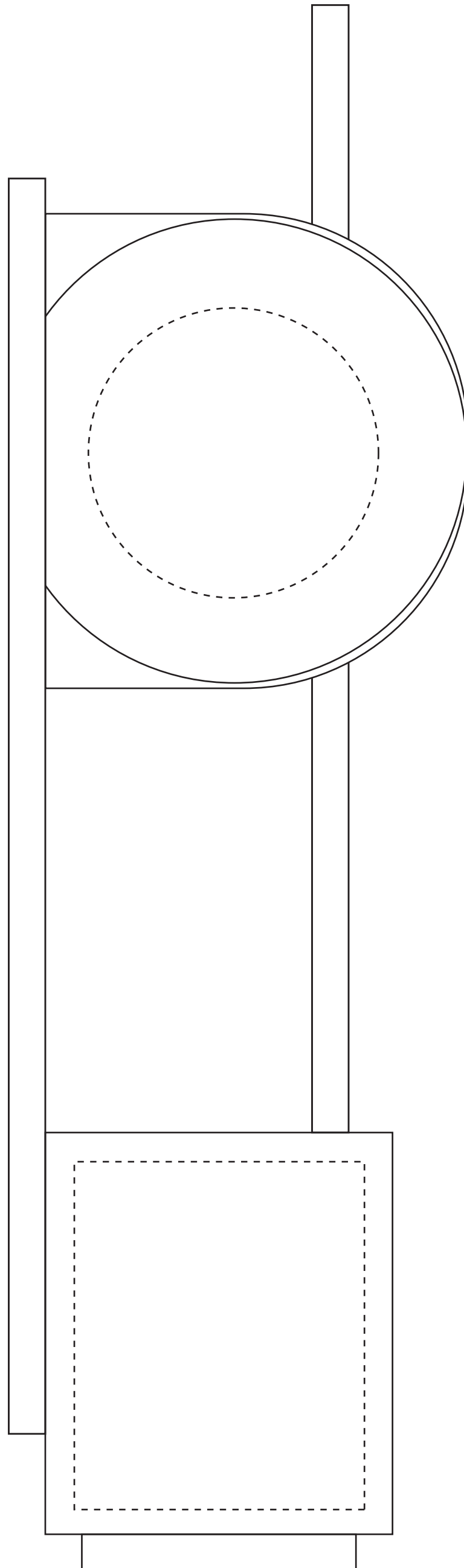


#4481B FRONT ETCHED  
MAXIMUM ETCHING AREA  
TOP 2.5" DIAMETER  
BOTTOM 3"H X 2.5"W



#4481B FRONT ETCHED

MAXIMUM ETCHING AREA  
TOP 2.5" DIAMETER  
BOTTOM 3"H X 2.5"W



#4481B FRONT ETCHED  
MAXIMUM ETCHING AREA  
TOP 2.5" DIAMETER  
BOTTOM 3"H X 2.5"W

